

# FREELO

## SPLASH SERIES





FREELO & RIPPLE SIDE TABLE



FREELO & AMPED SIDE TABLE



FREELO & RIPPLE WIDE TABLE

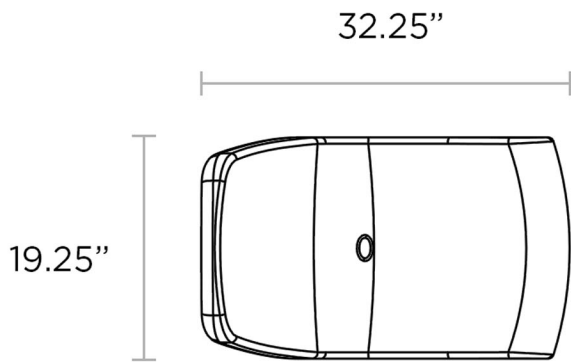


FREELO & AMPED SIDE TABLE

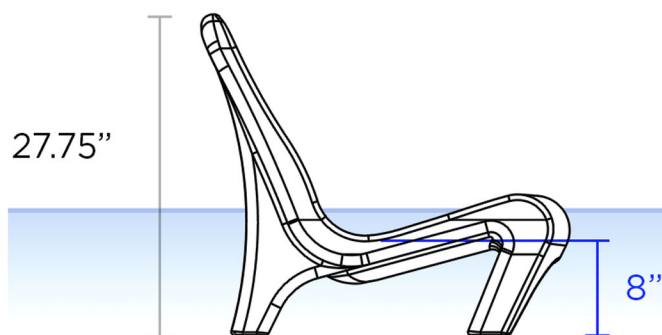
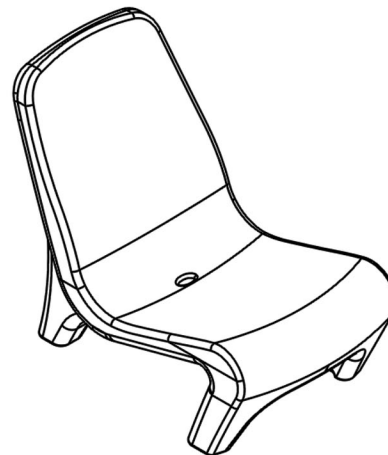
Freelo Splash Series Chair has a hole at the bottom of each leg so pool water can easily enter and exit the core of the chair. Adding water into the core of the chair gives the chair greater weight so it stays in place on the sun shelf. The optional pump is available for an additional cost for people wanting the convenience of a pump fill system. Filling Freelo is super easy without the pump. When Freelo is lifted from the pool it fully drains the water from the core of the product and the angle design of the front legs allows the chair to be set on the edge of the pool coping while the last bit of pool water leaves the core of the chair and is directed back into the pool.

#SPL22104BX \_\_ - Freelo Chair Splash, 20 lbs, Color TBD

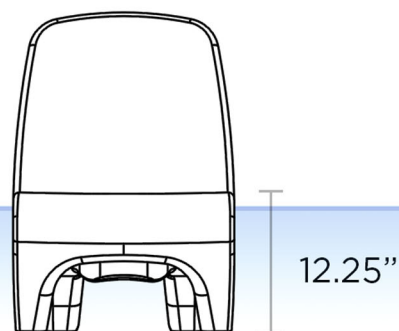
## DIMENSIONS



TOP



SIDE



FRONT

Max Water  
Depth  
11"

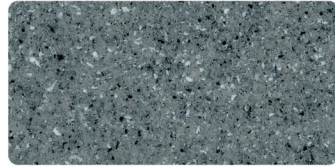


**STANDARD COLORS**

2 digit color code corresponds to the blank spaces in the product SKUS.



**White Granite (WG)**



**Gray Granite (GG)**



**River Rock (RR)**



**Desert Sandstone (DS)**



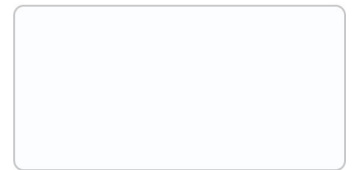
**Yellow (YE)**



**Surf Blue (SB)**



**Light Blue (LB)**



**White (WH)**

